

# S 750 Truck



PORTABLE DISPLAY



✓ Hand Spin

✓ Battery Powered

✓ Mobile Service

**EN** — Portable wheel balancer for truck, bus, light transport and car wheels  
Can be mounted on any type of spindle-operated truck tyre changer  
Particularly suitable for mobile service and for those who have little room in the workshop

## S 750 Truck



Portable, magnetically fixed display, powered with rechargeable batteries and easy to use



Complete with support for housing the measuring unit, display and centring kit

### MAIN FEATURES

- ✓ Compact and light wheel balancer for truck, bus, light transport and car wheels
- ✓ Small size and weight facilitate movement and use
- ✓ Easy and quick mounting system on any type of truck tyre changer
- ✓ Suitable for mobile service and for those who have little room in the workshop
- ✓ Low rotation speed
- ✓ Manual wheel size launch and entry
- ✓ Weather-resistant thanks to IP41 protection
- ✓ Complete with all balancing programs: Dynamic - Static and ALU for alloy rims



### Standard Accessories



### Recommended Accessories



ART40 Truck flange centring kit

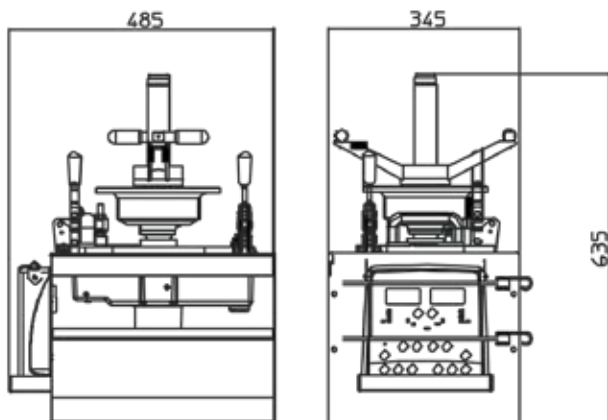


CAR MATE kit



TROLLEY kit

### Overall Dimensions



### Technical Data

Power supply	12Vdc - 115÷230Vac - 50/60Hz - 0,018kW
Protection rating	IP41
Shaft diameter	40 mm - 1,57"
Cycle time per wheel	8 ÷ 20 s
Balancing speed	<70 rpm
Measurement uncertainty	10 g
Average noise	<70dB (a)
Settable rim width	1,5" ÷ 20" (40 ÷ 510 mm)
Settable diameter	10" ÷ 30" (265 ÷ 765 mm)
Maximum wheel weight	<250 kg
Machine weight	20 kg

The manufacturer reserves the right to modify the features of its products at any time

Cod. DPSC000406A\_06\_2022



NEXION SPA - ITALY  
www.sice.it - sice@sice.it

